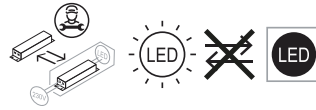
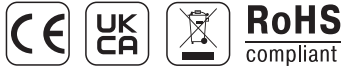


Installation Instructions

Product Code: PC10, PC11, PC12 & PC13



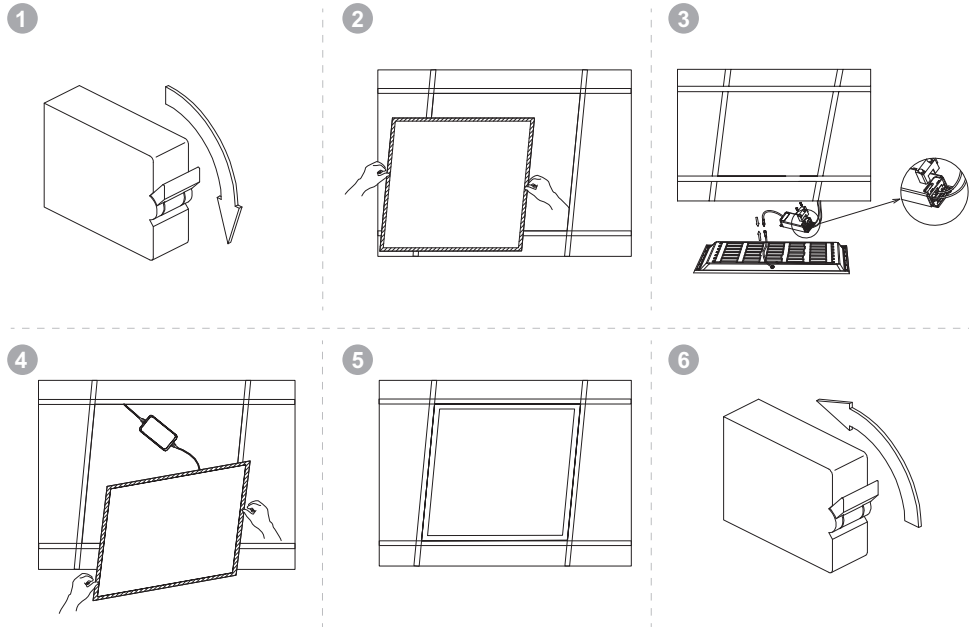
Product Description : Cygnus, Cygnus 12, Cygnus LG/Plus



Important Information

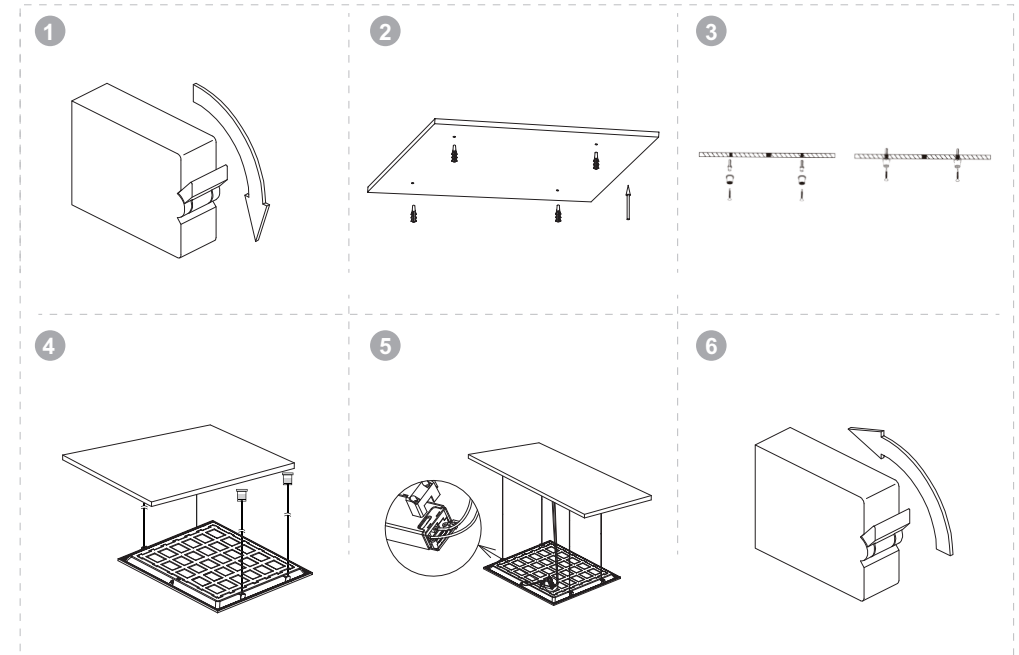
- ◆ It is recommended that luminaires are installed / maintained by a fully qualified electrician and wired in accordance to the latest IEC standards or national equivalent.
- ◆ Mains power must be switched off during any installation or maintenance.
- ◆ This product is guaranteed for a period of 5 years from date of purchase. The guarantee is invalid in the case of improper use, improper installation or tampering. Should the product fail during the guarantee period it will be replaced free of charge, subject to correct installation and return of the faulty unit. The manufacturer is not responsible for any costs associated with the replacement of this product.
- ◆ This product may contain substances that can be hazardous to the environment if not disposed of properly. Electrical and electronic equipment should never be disposed of with general household waste but must be separated for its correct treatment and recovery. Where possible recycle your packaging.
- ◆ This product contains a light source of energy efficiency class E.

Flush Mount

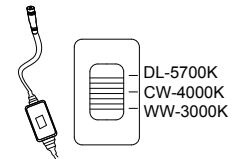


Installation Instructions

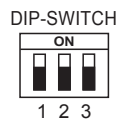
Suspension (suspension kit not included)



For model PC13 Cygnus LG Plus
please select the colour temperature before installation.
Select as per switch diagram shown .
Slide switch to corresponding colour temp



Power shift function - only apply in PC13 Cygnus LG Plus



Code	Vout	Po Max	Io	Lumen	1	2	3
KSI-40W1000-A6NF1 Non-dimmable	30-40V	40W	1000mA	4100lm	ON	ON	ON
	30-40V	38W	950mA	3800lm	-	ON	ON
	30-40V	36W	900mA	3600lm	ON	-	ON
	30-40V	34W	850mA	3450lm	-	-	ON
	30-40V	32W	800mA	3200lm	ON	ON	-
	30-40V	30W	750mA	3000lm	-	ON	-