

adbox

Tension fabric LED lightboxes



Stylish, versatile lightboxes

Advance's adbox offers retailer's maximum visual impact. Generating footfall and sales, adbox displays can improve brand awareness and grab customer attention.

Precision engineered, Advance's adbox solutions can create unique retail experiences using minimal retail space. These ultra versatile illuminated frames are easily changeable, allowing graphics to be altered.

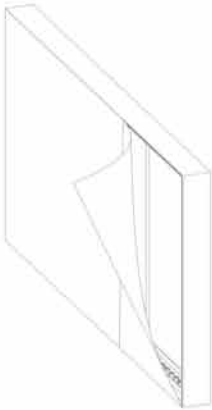
Advance's full in-house production and quality control ensures we can offer a highly competitive product and closely control the finished article. Available in a variety of LED options and colour temperatures, the adbox system has a number of variants to suit.

Lightbox types

Advance's extensive range of lightboxes allows us to select the right product for your requirements. Dependent on the application and criteria, our goal is to provide optimal light output without compromising quality.

Advance manufacture light boxes as well as supplying the printed tension fabric graphic if required.

Edge lit

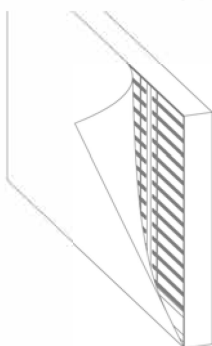


Adbox 'edge lit' is illuminated by LEDs on the side of the box.

Available with a variety of LED options, adbox edge lit lightboxes require less illumination, resulting in lower energy consumption.

Edge lit is available from 500mm up to a maximum size of 5000mm. These are available in single or double sided.

Backlit



Adbox backlit lightboxes are available with a variety of LED options, dependent upon the required light output and power consumption.

Typically featuring an entire rear frame of LEDs, the frame allows for the backlit graphic to be highly illuminated. In comparison to edge lit lightboxes, backlit tends to use more energy as more LEDs are required.

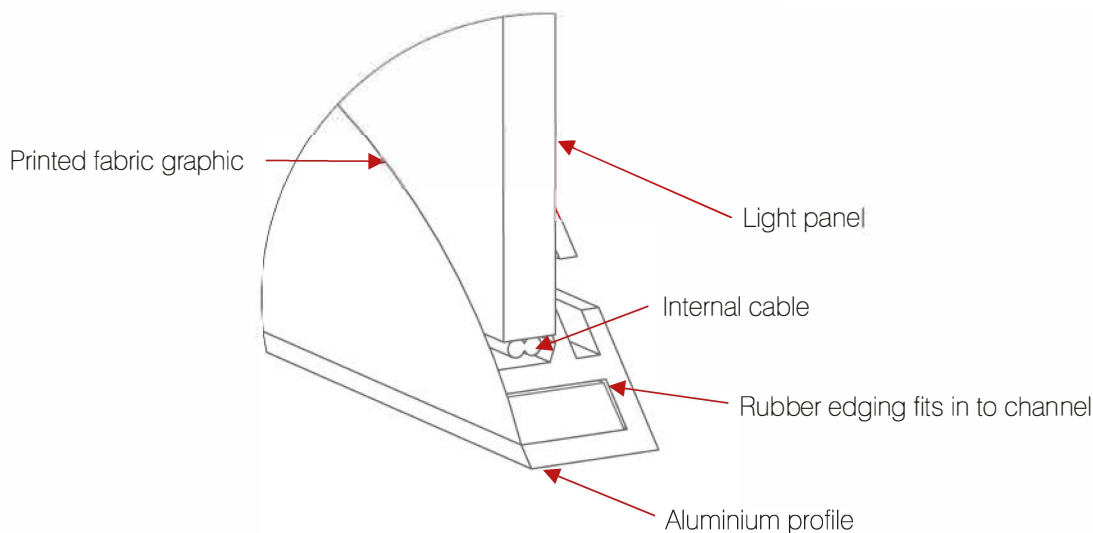
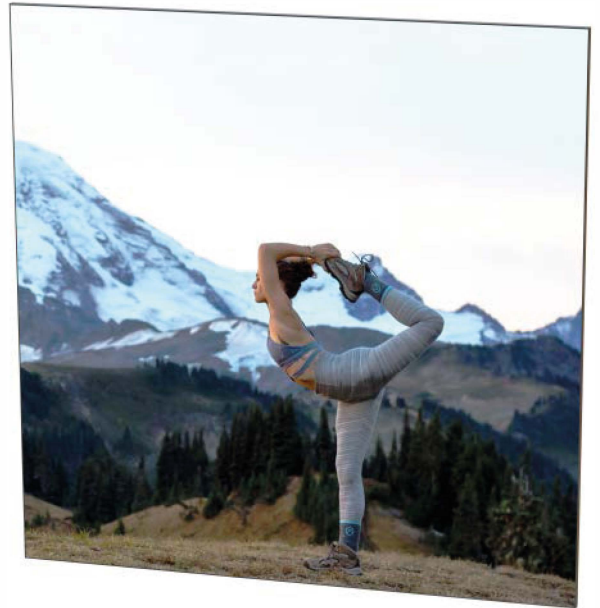
Backlit is available from 500mm up to a maximum size of 5000mm. These are available in single or double sided.

Minima ultra slim lightbox

A single sided aluminium lightbox for use with a tension fabric graphic.

Illuminated by an adbox LED light sheet, the Minima single sided light box is available in 15mm profiles and can be made modular to make larger sizes.

With a choice of colour temperatures to optimise the illuminated graphic, the lightbox comes with an external LED driver for ease of installation.



Key features

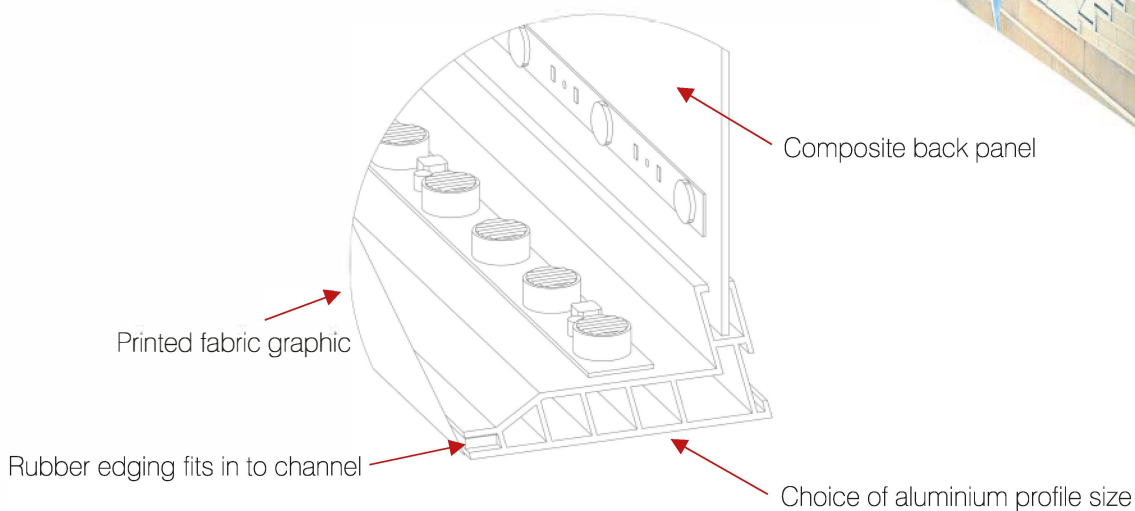
	Voltage:	12/24V DC
	Maximum size:	1m x 2m
	Depth:	Minima 15 15mm
	Colour temperature:	4000K / 6000K
Ra	Ra:	80Ra
	Power consumption:	30 - 48 W/m ²
	Brightness:	2300 – 3500lm (nominal)
	Weight	Minima 15 7.8kg per m ² (approx.)

Modus single sided lightbox








Modus is a single sided aluminium lightbox for a single tension fabric graphic.

Modus is available in multiple profiles up to a maximum of 2m x 3m as required.

With a choice of colour temperatures to optimise the illuminated graphic, the lightbox comes with an integrated or external LED driver for ease of installation.



Key features

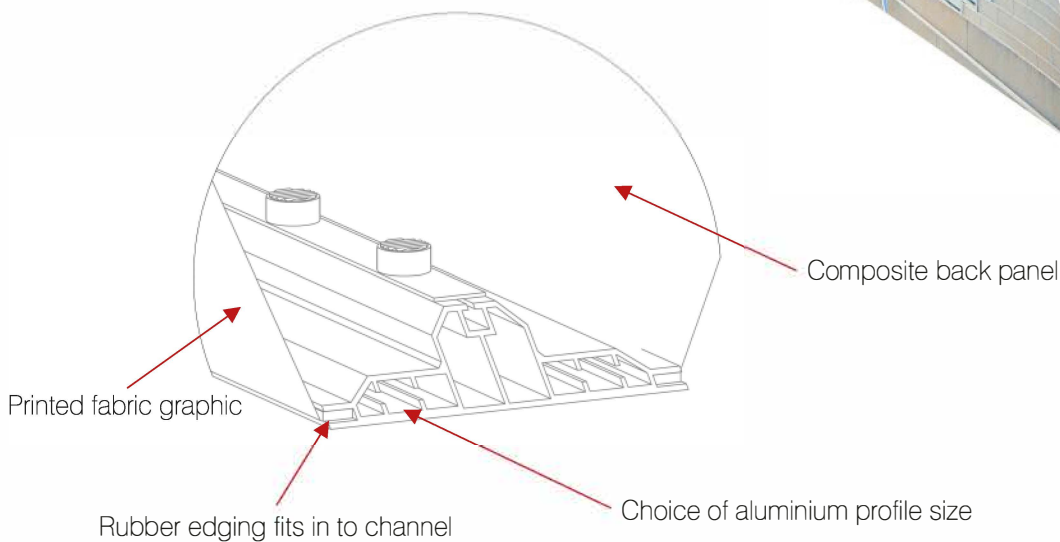
	Voltage:	24V DC
	Maximum size:	2m x 3m
	Depth:	Modus 60 60mm Modus 80 80mm Modus 100 100mm
	Colour temperature:	4000K / 6000K
Ra	Ra:	80Ra
	Power consumption:	30 - 48 W/m ²
	Brightness:	2300 – 3500lm (nominal)
	Weight	Modus 60 8.9kg per m ² (approx.) Modus 80 9.8kg per m ² (approx.) Modus 100 11.5kg per m ² (approx.)

Magna double sided lightbox

Magna is a double sided aluminium lightbox for two tension fabric graphics.

Magna is available in multiple profile depths and up to a maximum of 2m x 5m as required.

A choice of colour temperatures are available to optimise the tension fabric graphic.



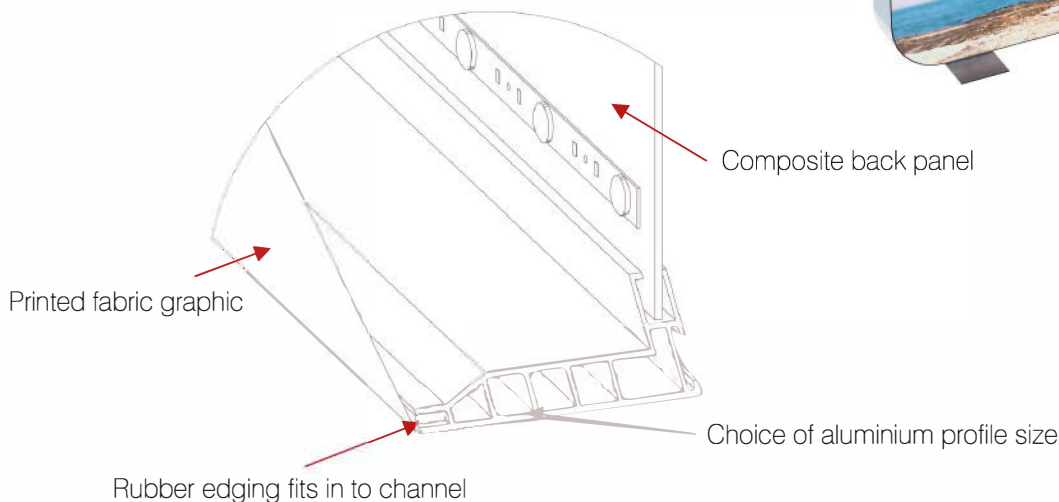
Key features

	Voltage:	24V DC
	Maximum size:	2m x 5m
	Depth:	Magna 120 120mm Magna 180 180mm
	Colour temperature:	4000K / 6000K
Ra	Ra:	80Ra
	Power consumption:	30 - 48 W/m ²
	Brightness:	2300 – 3500lm (nominal)
	Weight:	Magna 120 8.5kg per m ² (approx.) Magna 180 12kg per m ² (approx.)

Varus rounded corner lightbox

Varus rounded corner lightboxes are available illuminated in a single or double sided aluminium tension fabric lightbox.

With a choice of colour temperatures to optimise the illuminated graphic, the lightbox comes with an integrated or external LED driver for ease of installation and is available up to a maximum size of 1m x 2m.



Key features

	Voltage:	24V DC
	Maximum size:	1m x 2m
	Depth:	Varus 80 80mm Varus 100 100mm
	Colour temperature:	4000K / 6000K
Ra	Ra:	80Ra
	Power consumption:	30 - 48 W/m ²
	Brightness:	2300 – 3500lm (nominal)
	Weight:	Varus 80 11.5kg per sq. metre (approx.) Varus 100 13.3kg per sq. metre (approx.)

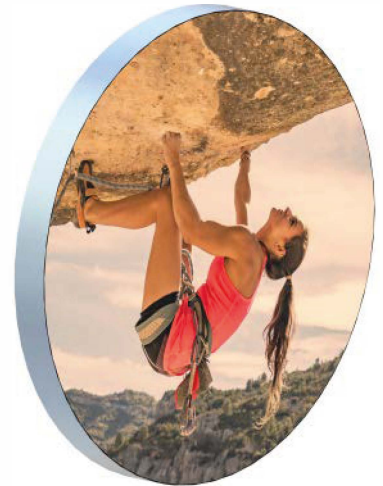
Orbis circular lightbox

Orbis circular lightboxes are frequently used as hanging advertisements within stores.

These circular lightboxes can be suspended and are available illuminated in a single or double sided aluminium tension fabric lightbox.

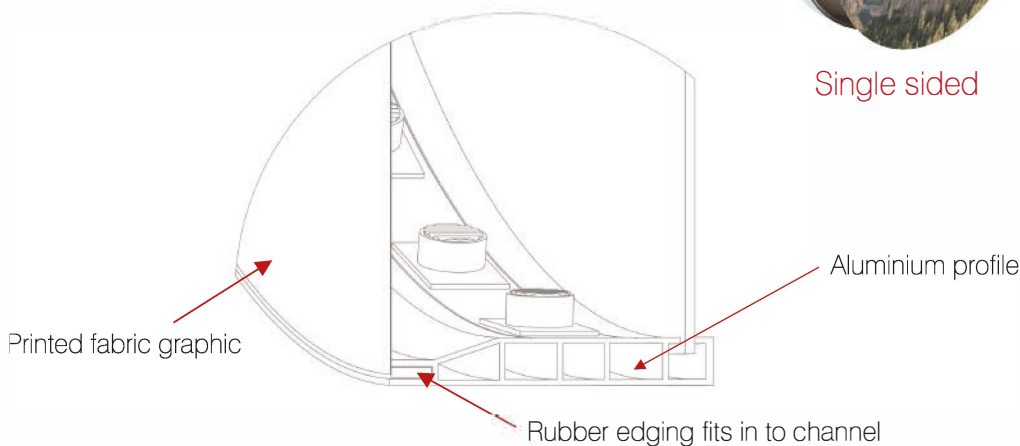
Available in a 100mm profile with bespoke sizes up to a maximum of 2.5m diameter as required.

With a choice of colour temperatures to optimise the illuminated graphic, the lightbox comes with an integrated or external LED driver for ease of installation.



Single sided

Double sided



Key features

-  Voltage: 24V DC
-  Maximum size: 2.5m
-  Depth: **Orbis 100** 100mm
-  Colour temperature: 4000K / 6000K
- Ra** Ra: 80Ra
-  Power consumption: 30 - 48 W/m²
-  Brightness: 2300 – 3500lm (nominal)
-  Weight: **Orbis 100** 8kg per sq. metre (approx.)

Orbis 100



Full circle	φ mm	1/2	1/4	1/8
6.1 kg	φ 900	●		
9.3 kg	φ 1200	●	●	
12.8kg	φ 1500	●	●	
17kg	φ 1800	●	●	
21.7kg	φ 2100		●	●
27kg	φ 2500		●	●

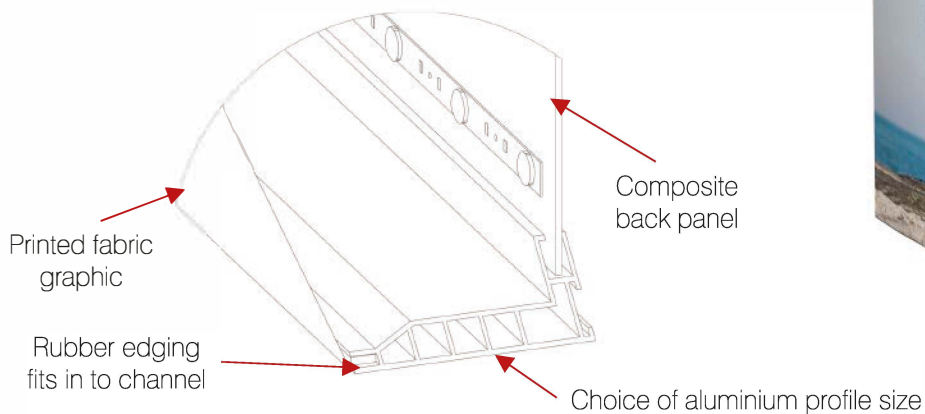
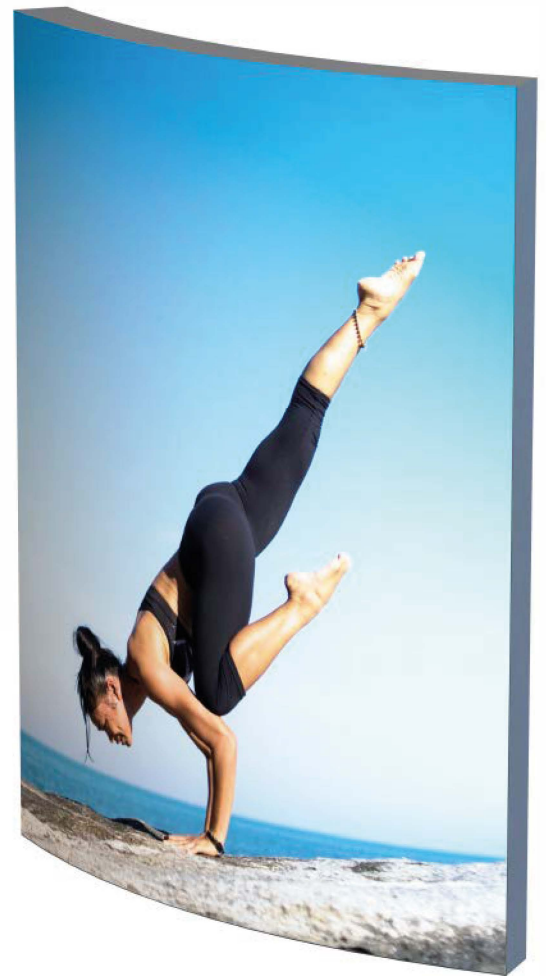
Above table shows size configurations and modular options.

Curva convex lightbox


A curved convex single sided aluminium tension fabric lightbox for one stretched graphic.

Curva is available in a 100mm profile up to a maximum 1m x 2m as required.

With a choice of colour temperatures to optimise the illuminated graphic, the lightbox comes with an integrated or external LED driver for ease of installation.



Key features

	Voltage:	24V DC
	Maximum size:	1m x 2m
	Depth:	Curva 100 100mm
	Colour temperature:	4000K / 6000K
Ra	Ra:	80Ra
	Power consumption:	30 - 48 W/m ²
	Brightness:	2300 – 3500lm (nominal)
	Weight	Curva 100 11.5kg per sq. metre (approx.)

In-house design & manufacture



Advance's in-house creative, design and production teams ensure our adbox products are of the highest quality and standard.

We have the capability to produce large scale lightboxes and manage them through from brief, design, quote, prototypes and high volume manufacture.

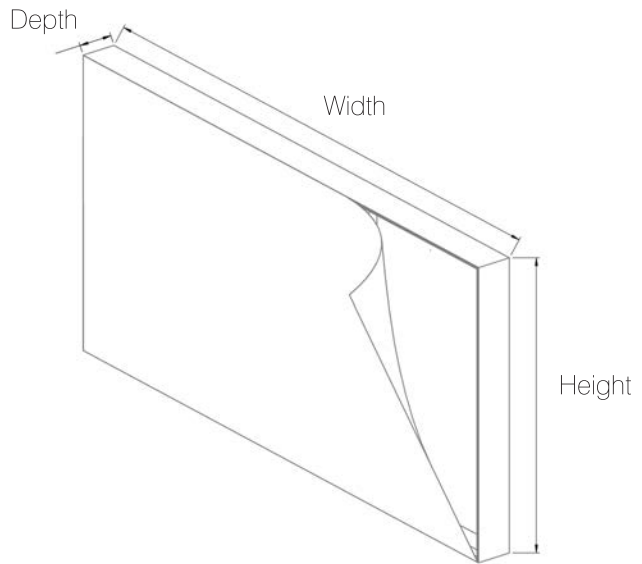


How to specify your adbox

Advance are happy to discuss the finer details of your design to meet your requirements and application. The following guide has been put together to ensure your adbox is of the highest standard.

i Design considerations

- Single or double sided illumination?
- Height / width / depth?
- Power entry - rear or side, top or bottom?
- Efficiency or Brightness / Visual impact?
- Shipping - may require delivery in sections?



Tension fabric artwork

Please read the information below carefully to ensure you artwork is supplied correctly.

i Artwork

- Your artwork should have a 25mm bleed to all sides of the image.
- Images should be supplied full scale where possible.
- Please call Advance to discuss if you need further advice.

i Image resolution

- Image resolution depends on the distance between the subject and where the lightbox is viewed from.
- We recommend that you aim for 300dpi where possible.

i Accepted file formats

- Where possible we prefer to receive a file as a high res PDF.
- We accept files in the following: Photoshop & Illustrator
- Files need to be supplied in CMYK.
- Files can be submitted by email or via WeTransfer (over 10MB).

adbox matrix

- Available as standard

Advance's adbox matrix (below) provides an overview of all of our lightbox options to allow you to select the correct lightbox for your project. If you need further advice, our team is more than happy to assist.

	Technical information			Size		Function			Visuals					LED type			Driver									
	12V	24V	400K	6000K	Nominal lumens per sqm	Nominal watts per sqm	Depth (mm)	Minimum size (mm)	Maximum size (mm)	Ultra slim	Free standing	Wall mounted	Suspended	Single sided	Double sided	Tension fabric	Rounded	Circular	Convex	LED panel	Backlit	Edge lit	Internal	External		
Ultra slim	•	•	•	•	2300 - 3500lm	30 - 40	15mm	0.3m	1m x 2m	•	•	•	•	•	•	•	•	•	•	•	•	•	•	•	•	Minima 15
Single	•	•	•	•	2300 - 3500lm	30 - 48	60mm	0.5m	2m x 3m	•	•	•	•	•	•	•	•	•	•	•	•	•	•	•	•	Modus 60
Single	•	•	•	•	2300 - 3500lm	30 - 48	80mm	0.5m	2m x 3m	•	•	•	•	•	•	•	•	•	•	•	•	•	•	•	•	Modus 80
Single	•	•	•	•	2300 - 3500lm	30 - 48	100mm	0.5m	2m x 3m	•	•	•	•	•	•	•	•	•	•	•	•	•	•	•	•	Modus 100
Double	•	•	•	•	2300 - 3500lm	30 - 48	120mm	0.5m	2m x 5m	•	•	•	•	•	•	•	•	•	•	•	•	•	•	•	•	Magna 120
Double	•	•	•	•	2300 - 3500lm	30 - 48	180mm	0.5m	2m x 5m	•	•	•	•	•	•	•	•	•	•	•	•	•	•	•	•	Magna 180
Single - rounded	•	•	•	•	2300 - 3500lm	30 - 48	80mm	0.5m	1m x 2m	•	•	•	•	•	•	•	•	•	•	•	•	•	•	•	•	Varus 80
Double - rounded	•	•	•	•	2300 - 3500lm	30 - 48	100mm	0.5m	1m x 2m	•	•	•	•	•	•	•	•	•	•	•	•	•	•	•	•	Varus 100
Circular	•	•	•	•	2300 - 3500lm	30 - 48	100mm	100mm	See table on page 6 for more information	•	•	•	•	•	•	•	•	•	•	•	•	•	•	•	•	Orbis 100
Convex	•	•	•	•	2300 - 3500lm	30 - 48	100mm	0.5m	1m x 2m	•	•	•	•	•	•	•	•	•	•	•	•	•	•	•	•	Curva 100

Get in touch

+ 44(0)1332 865777
sales@adv.uk.com
www.advancelighting.co.uk

Advance International Ltd
1 Lowman Way
Hilton Business Park
Hilton
Derby
DE65 5LJ